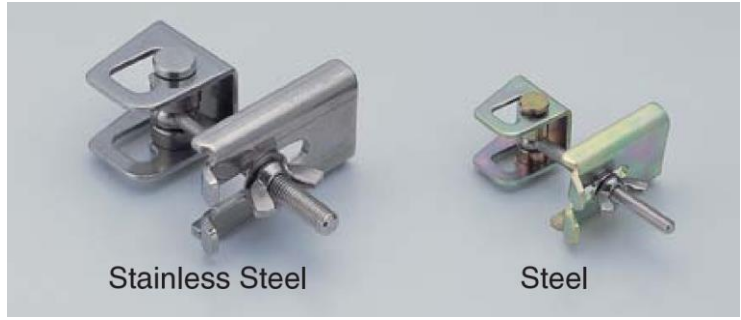
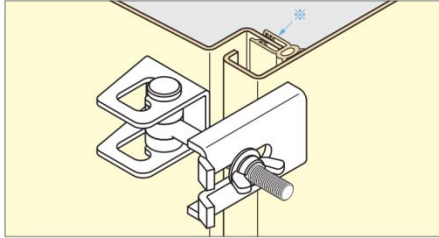


GCHN Adjustable Draw Latch

Features

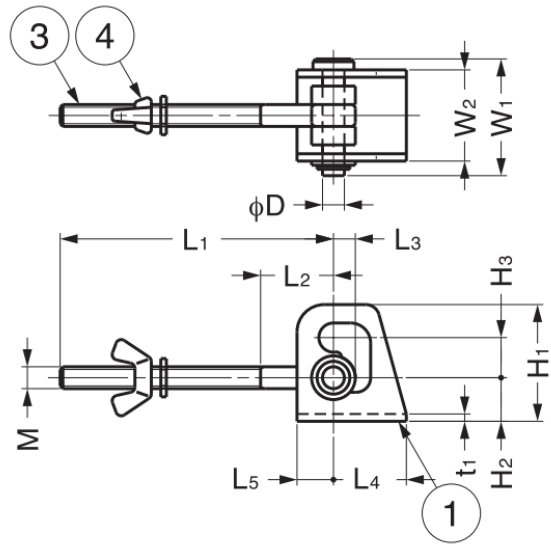
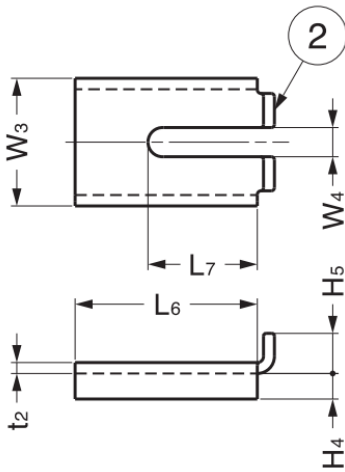
- Exposed threaded rod allows adjustment of latching distance



Stainless Steel

Steel

No.	Part Name	Material	Finish
①	Body	Stainless Steel(SUS304)	Bead Blasting
		Steel	Yellow Zinc Chromate
②	Counter plate	Stainless Steel(SUS304)	Bead Blasting
		Steel	Yellow Zinc Chromate
③	Bolt	Stainless Steel(SUS304)	Plain
④	Nut	Stainless Steel(SUS304)	Plain



Part No.	Material	L ₁	L ₂	L ₃	L ₄	L ₅	L ₆	L ₇	W ₁	W ₂	W ₃	W ₄	H ₁	H ₂	H ₃	H ₄	H ₅	t ₁	t ₂	øD	M
GCHN-75S	Stainless Steel	75	20	6	20	10	50	30	31.5	25	35	8	32	12	11	10	8	2	3	6	M6
GCHN-80S		80	25	8	25	13	60	40	37.5	30	40	10	40	15	14	12					
GCHN-90S		90	30	10	30	15	75	50	45	35	45	12	50	20	17	14					
GCHN-75Y	Steel	75	20	6	20	10	50	30	31.5	25	35	8	32	12	11	10	8	2.3	3.2	6	M6
GCHN-80Y		80	25	8	25	13	60	40	37.5	30	40	10	40	15	14	12					
GCHN-90Y		90	30	10	30	15	75	50	45	35	45	12	50	20	17	14					